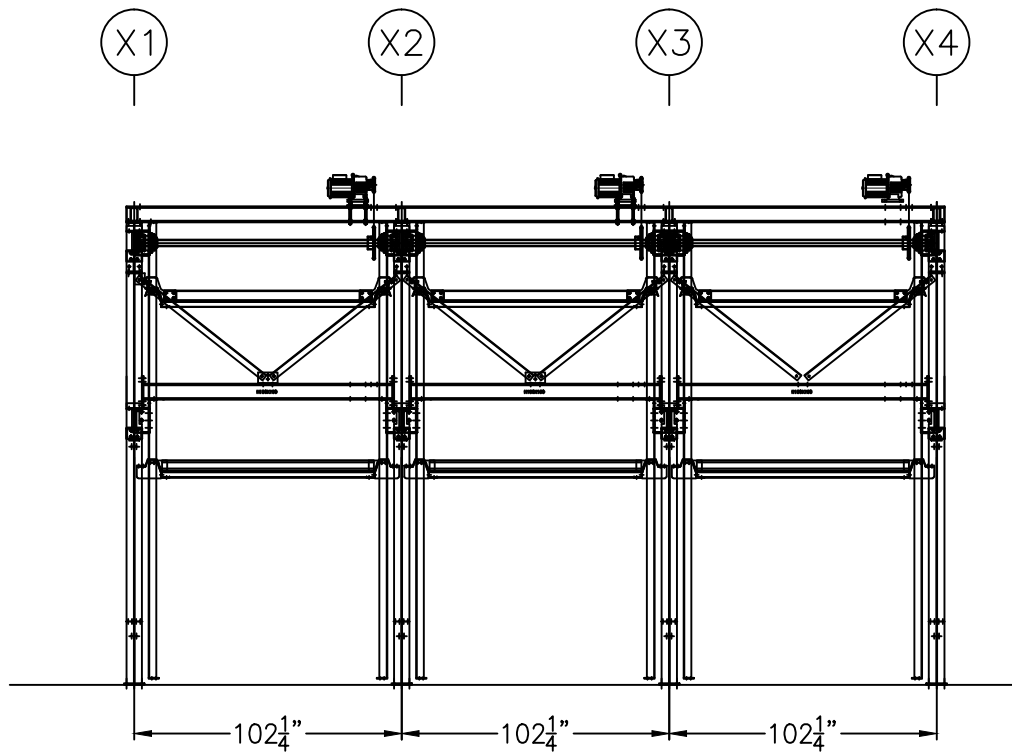
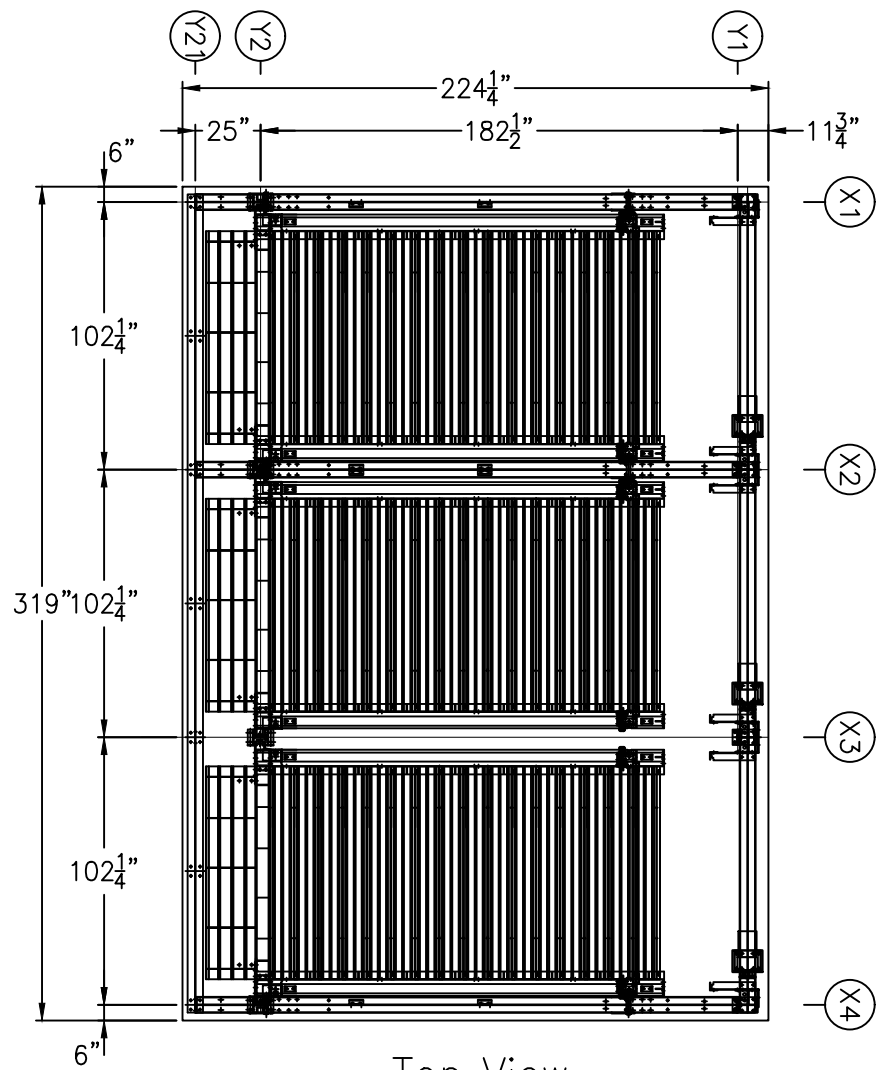


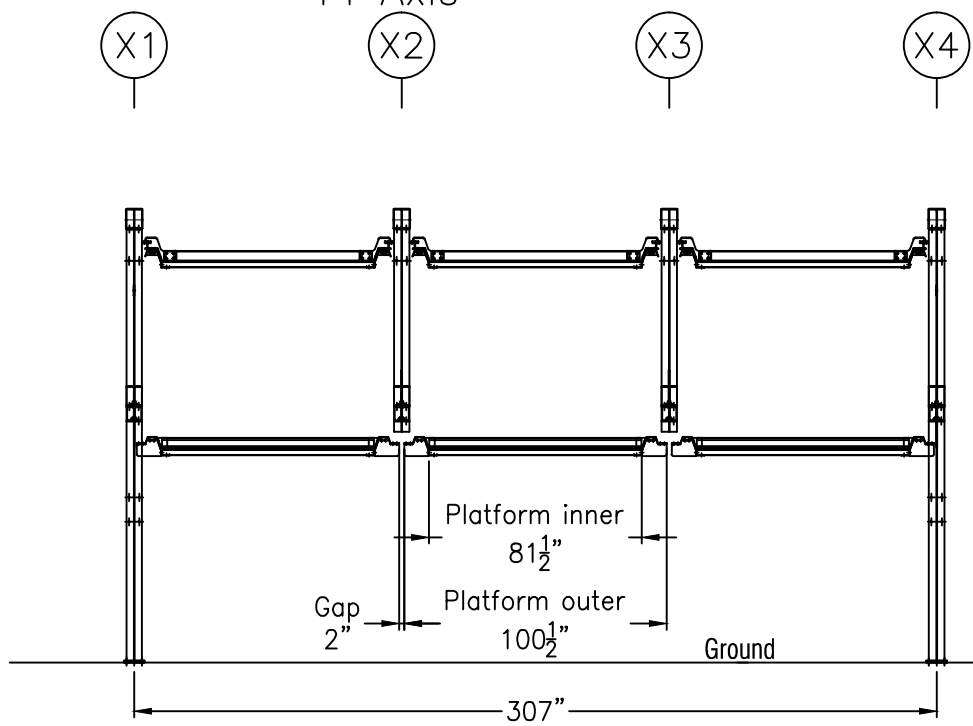
Suspension Lift System Specifications		
Type		PJSL-3-Z3K-T-3 Wide
		Suspension lift system
		T Type
Available Vehicle	Length	202¾"
	Width	82¾"
	Lower Height	76¾"
	2FL Height	61"
	Upper Height	61"
	Max Lifting Capacity	6,000 LB
Lifting Speed/ Lowering Speed	75 Seconds	
Driving Mode	Reduction Motor + Chains	
Reduction Motor	5HP	
Power Source	AC 220V, 60Hz, 3 Ph	
Control mode	PLC control	
Operating mode	Button	



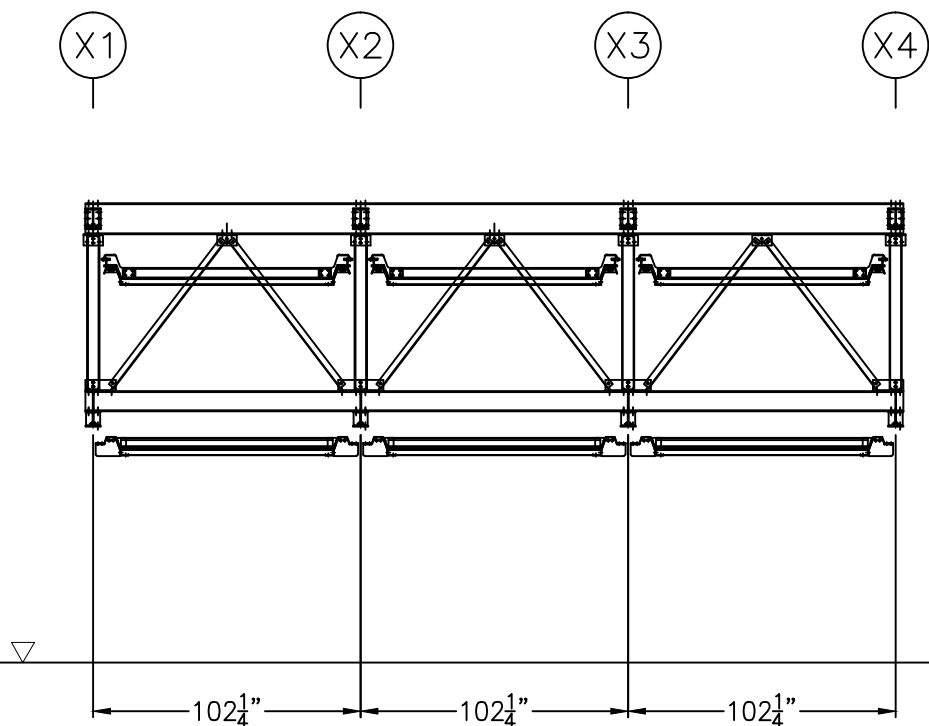
Rear View
Y1 Axis



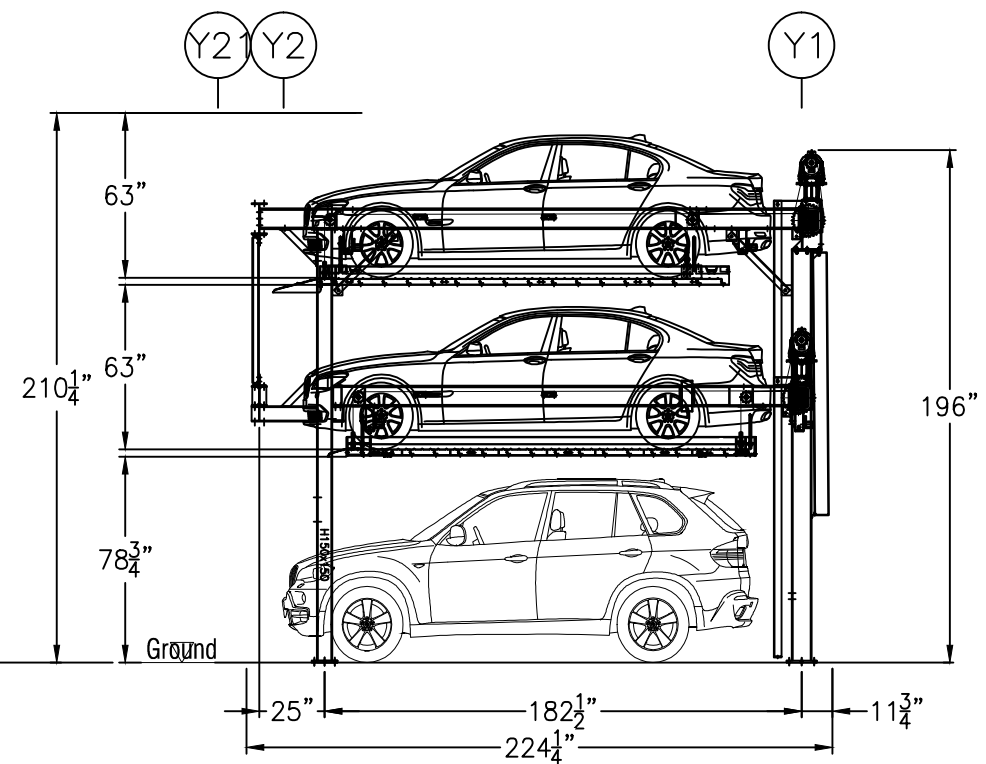
Top View



Front View
Y2 Axis



Front View
Y1 Axis



Side View