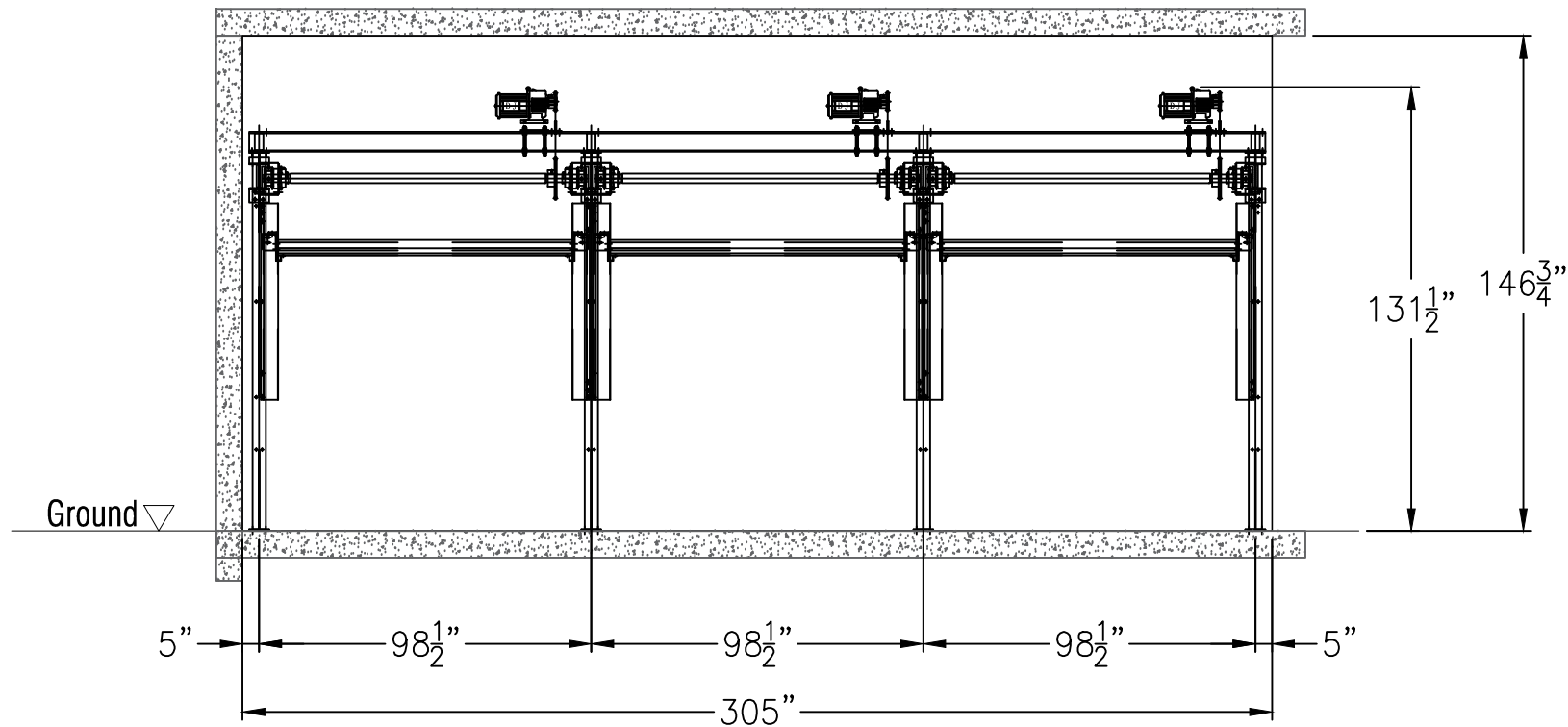
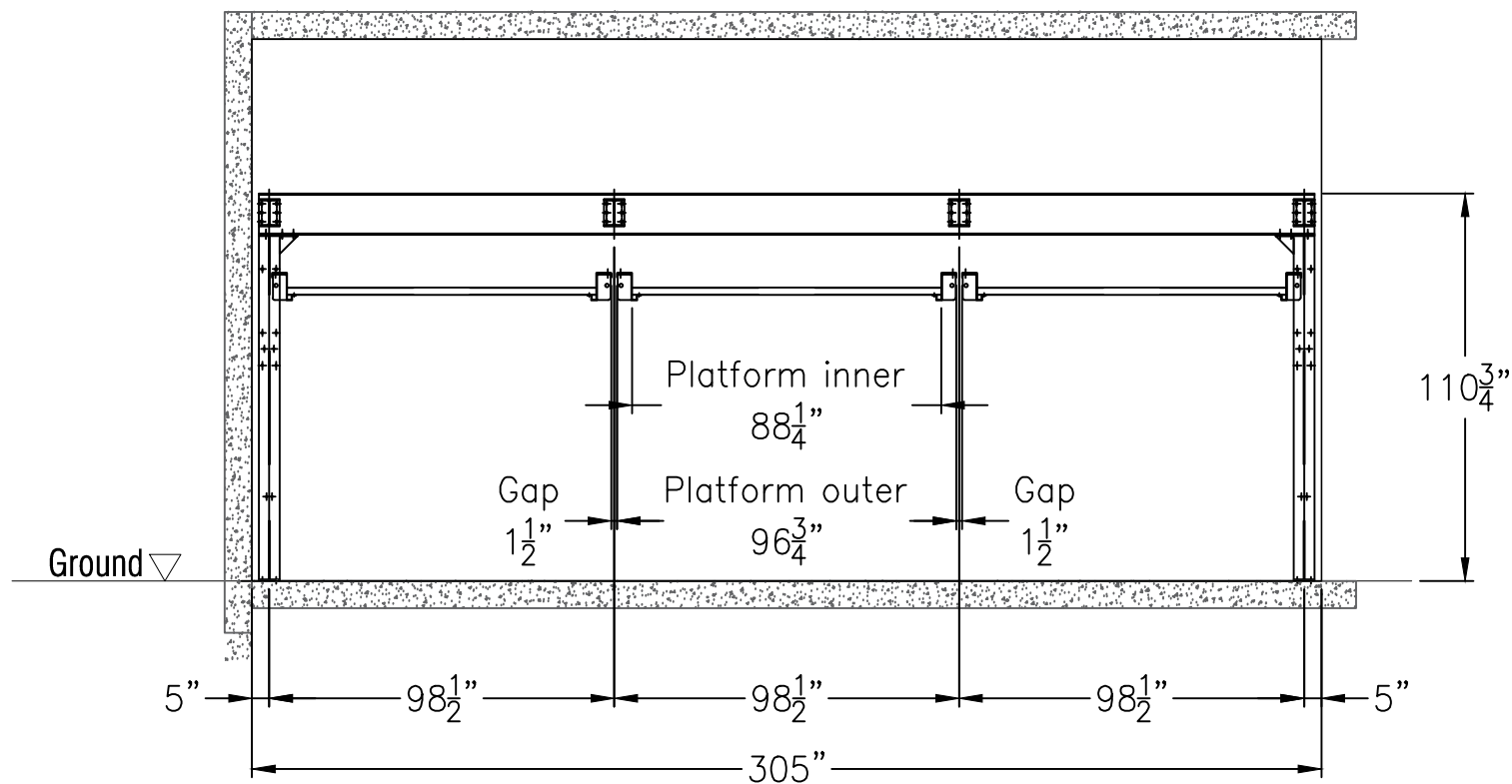


Rear view



Front view



Suspension Lift System Specifications

Type		PJSL-2-Z1-T-3 Wide
		Suspension lift system
		T Type
Available Vehicle	Length	208 <sup>3</sup> / <sub>4</sub> "
	Width	78 <sup>3</sup> / <sub>4</sub> "
	Lower Height	76 <sup>3</sup> / <sub>4</sub> "
	Upper Height	61"
	Max Lifting Capacity	6,000 LB
Lifting Speed/ Lowering Speed		50 Seconds
Driving Mode		Reduction Motor + Chains
Reduction Motor		5HP
Power Source		AC 220V, 60Hz, 3 Ph
Control mode		PLC control
Operating mode		Card + key

